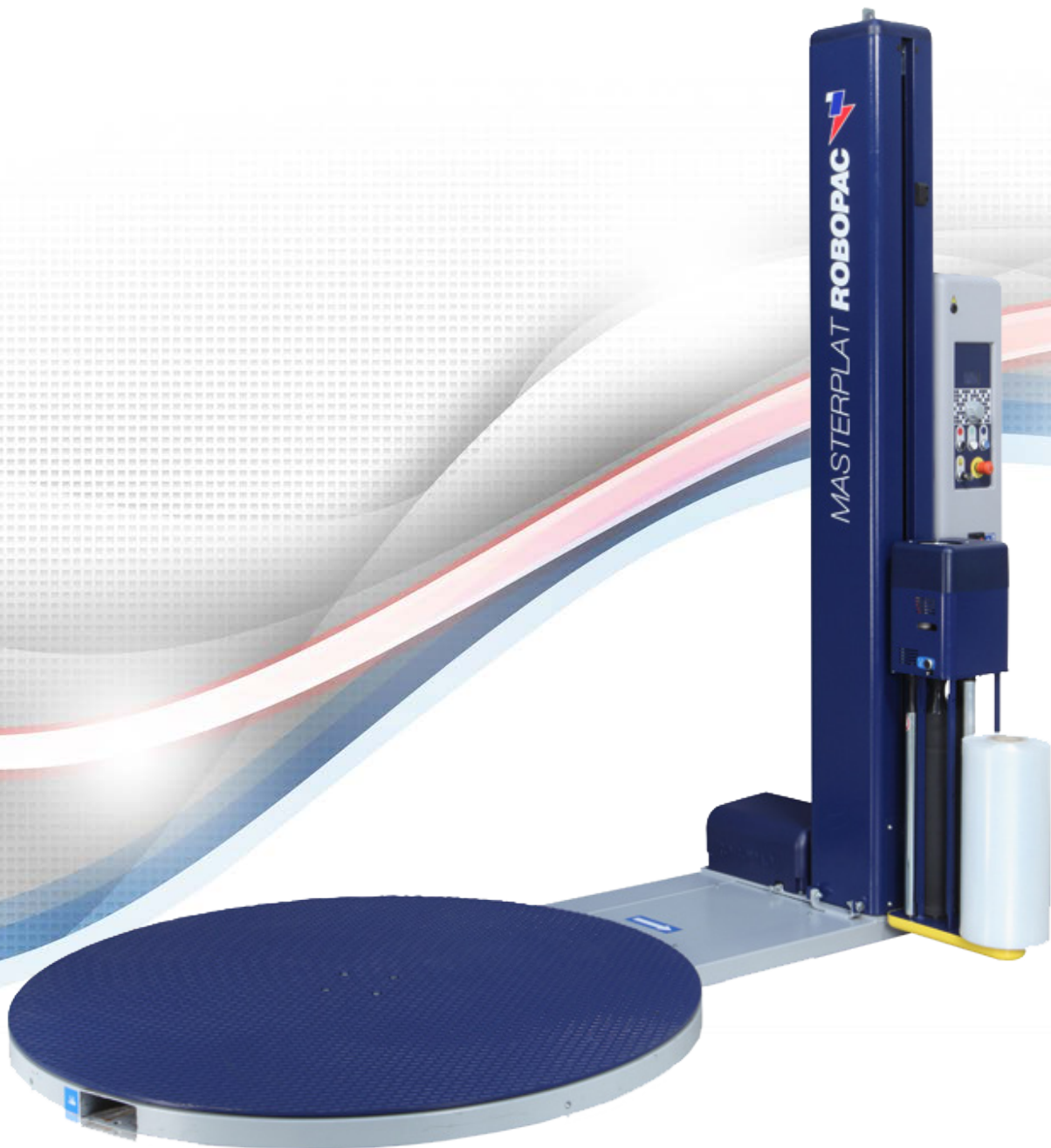


MASTERPLAT

*Semi-Automatic Turntable
Stretch Wrapping Machine*



ROBOPAC 

overview

The Masterplat is designed for customers wrapping 30 to 45 loads per day. It comes with productivity improving standards like a Self-Learning Wrap Program, 110" wrap height and a heavy duty 4,400 pound capacity turntable.

Like all Robopac stretch wrappers, the Masterplat is safe for your operators. It comes equipped with safety features like roll carriage Anti Fall Device, Roll Carriage Safety Stop and a 65" diameter diamond plated steel turntable that prevents your load from shifting during the wrapping process.

A standard 40" X 48" pallet fits within the turntable reducing the risk of product damage or injury from overhanging pallets. The roll carriage on the Masterplat is on the operator side of the machine

to keep your operators safe and out of the wrapping area.

The Masterplat turntable is supported by 28 heavy duty casters and can handle a 4,400lb load. Weight capacity can be increased quickly and easily to 5,500 lbs.

The Masterplat was designed for the demanding American customer. It includes many performance and application features that are either extra cost or not available on stretch wrapping machines from other manufacturers.

A scale package option is available to weigh your wrapped pallet while still on the turntable, providing shipping data without having to relocate the load.

control panel

The new Masterplat control panel combines the Master Jog Dial and a graphic display with intuitive icons, making set-up simple and selecting the correct wrapping parameters for each of your loads a snap.

The Masterplat control panel is UL508A Certified. The NEMA 12 Control Panel Enclosure protects against dust, dirt, fibers and lint. It also protects from dripping water, external condensation and other noncorrosive liquids.

Memory allows you to store up to three custom programs and comes pre-programmed with:

- Up/Down Cycle
- Up Only or Down Only Cycle
- Top Sheet Cycle
- Manual Cycle
- Eco Cycle



film carriage

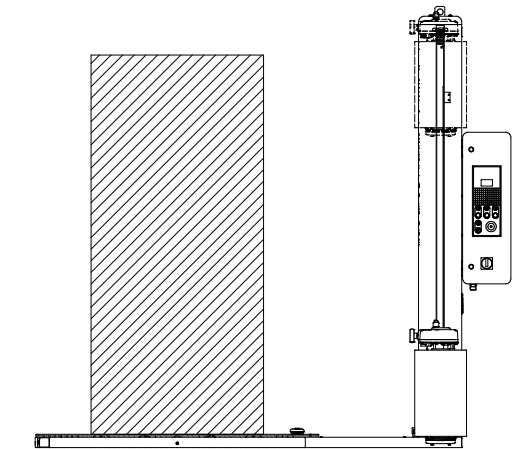
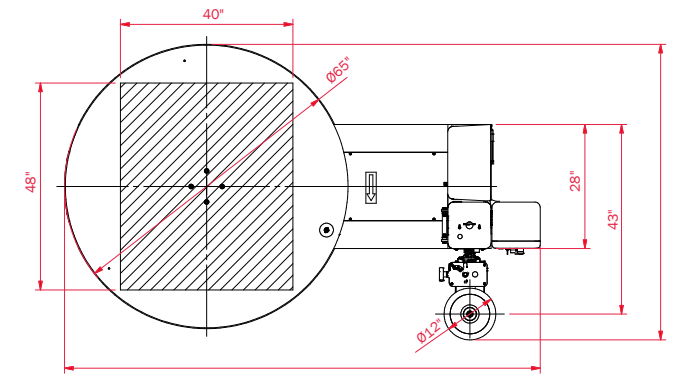
Masterplat Power Pre-stretch Carriage (PGS)

The PGS 250% fixed pre-stretch roll carriage can also be delivered with either a 200% or 350% pre-stretch ratio with manually interchangeable gears. The PGS carriage is equipped with the patented "QLS" system (Quick Load System) to quickly load film between the rollers and a film unwinding button for film feed when hooked to the product to be wrapped.

Robopac's patented high-performance S-Wrap Pattern with and load cell corner compensation and containment force device give you very consistent and predictable prestretch and total control of containment force.

specifications

Technical Features	
Masterplat	
Performance	
Production Speed	Up to 40 LPH
Turntable Speed	5-12 RPM
Turntable Drive	1HP VAC
Load Handling	
Turntable Size	65" diameter
Maximum Load Height	110"
Maximum Load Weight	4,400 lbs
Film Delivery System	
Film Delivery System	Power Pre-Stretch
Standard Pre-Stretch	250%
Containment Force	Variable Electronic
Corner Compensation	N/A
Force to load control	Mechanical on carriage
Roll Carriage Speed	Variable up and down
Standard Film Width	20"
Load Height Detection	Infrared Photocell
Safety Features	
Roll Carriage Safety Stop	Standard
CE Compliant	Yes
Anti-Fall Device	Standard
Lock-Out/Tag-Out Compliant	Yes
Additional Features	
Banding	Standard
Forklift Portable	Front and rear
Service Requirements	
Electric	110VAC/1ph/60Hz (+/-10%)
NEMA 12 Enclosure	Standard
Warranty	5 Years



standard features

- 110" Wrap Height Capacity to ensure you can wrap even your tallest loads.
- 4,400 lb Capacity Turntable supported by 28 heavy duty casters.
- 65" Diameter Diamond Plate Turntable will easily accommodate 40" x 48" loads.
- Forklift Portable from both the front and back. Making it safe and easy to place the EcoPlat anywhere in your operation.
- Anti-Fall Device. The film carriage's anti-fall device protects workers and products in the unlikely event of chain slippage or breakage.

- CE Approved, conforming to global electrical and safety standards.
- Roll Carriage Safety Stop immediately stops the roll carriage in the event a person or product contacts the roll carriage as it travels downward. This protects both your people and your product from injury and damage.
- NEMA 12 Control Panel Enclosure protects against dust, dirt, fibers and lint. It also protects from dripping water, external condensation and other noncorrosive liquids.
- Infrared photocell detects dark, clear and reflective products. Eliminates false reading of gaps in loads.

popular options



Scale Package

Built-in 5,000 lb capacity scale system allows you to wrap and weigh your loads in one easy step. Integrated design increases the height of the turntable by less than 1".

Our scale is NIST Certified and comes pre-calibrated. It includes a digital readout.

Heavy Duty Support

Additional rollers allow the turntable to support heavier loads to 5,500 lb. Strategic placement keeps turntable top from buckling and reduces wear on parts.



Roping Device

Roping device attached to roll carriage ropes the entire web of film from either top, bottom or both. Manual device is set before wrapping.

Roping from the top allows you to apply a high tensile strength rope of film to the pallet wherever it is needed to improve load integrity. Full web film roping is the best way to lock the load to the pallet.



Robopac is the global leader in the stretch wrapping industry. Our line of semi-automatic and automatic stretch wrapping equipment combines technology, innovation and experience into products that deliver results you can depend on.

Robopac is ISO 9001:2008 certified and all our equipment meets the strictest global safety standards, including CE.

In 2008, Robopac hired Porsche Lean Consulting to help us implement their lean manufacturing process in our factory. This process allows us to build our equipment faster, better, for less.

AETNA GROUP U.S.A. Inc.
2475B Satellite Blvd. - Duluth - GA 30096-5805 - USA
tel: (+1) 678 473 7896 - toll free (866) 713 7286
fax: (+1) 678 473 1025
e-mail: aetnagroup@aetnagroupusa.com

www.robopac.com



Aetna Group holds over 100 patents and our commitment to innovation is the heart of our organization. With over 80 employees dedicated to Research & Development and a \$7.6-million investment in R&D in 2011, we are committed to maintaining our position as the global leader in secondary packaging.

Aetna Group has more than 120,000 machines installed around the world and currently produces 6,700 machines annually, more than twice that of our nearest competitor.

Our four product lines: Robopac, Robopac Sistemi, Dimac and Prismatic offer complete lines of innovative stretch wrapping systems, bundlers, shrink wrappers, cartoning systems and tape machines through a global network of over 400 agents and distributors. We also employ over 80 technical service engineers ready to provide prompt and courteous support, whenever and wherever you need it.



Semi-Automatic Turntable Series



Specifications

- **Production Speed:** Up to 25 LPH
- **Max Load Dimensions:** 52"(w) x 52" (l) x 110" (h)
- **Maximum Load Weight:** 4400 lbs
- **Turntable Height:** 3"
- **Turntable Diameter:** 65"
- **Turntable Construction:** 3/8" diamond plate steel
- **Turntable Drive Motor:** 1 HP VAC
- **Turntable Speed:** 5 - 12 RPM
- **Frame Construction:** Formed Steel
- **Film Carriage Motor:** 1/2 HP VAC Chain-Driven
- **Pre-Stretch:** Fixed 250%
- **Containment Force:** Adjustable Force Control
- **Film Threading:** Patented S-Pattern
- **Corner Compensation:** Load Cell
- **Control Panel:** 3.5" Color Graphic Display
- **Height Sensing:** Automatic via Photocell
- **Wrapping Menus:** 3 Fixed, 1 Programmable Menu
- **Utility Requirements:** 115V, 20 amps, 60Hz, 1PH
- **Safety:** Anti-Fall Device & Pressure Activated Safety Stop on Carriage, CE Compliant, UL, CUL
- **Available Options:** Ramp, Extended Warranty

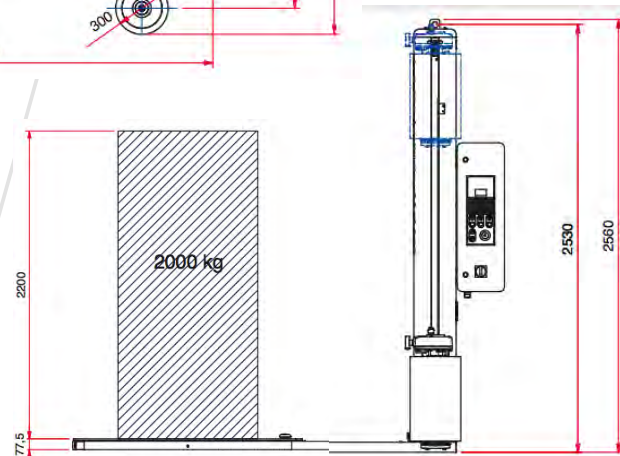
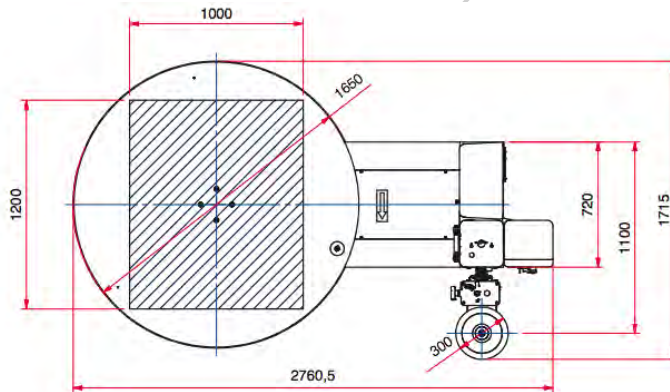
MASTERPLAT MASTERPLAT



Layouts

Key Features

- ✓ Standard 110" Wrap Height
- ✓ Color Graphic Display
- ✓ R-Connect Ready
- ✓ 250% Pre-Stretch
- ✓ Warranty



Smart Solutions. Even Smarter Machines.
Innovation | Reliability | Service

www.robopacusa.com | 866.713.7286 | info.usa@robopac.com

