



R&E

ROBOTICS & END OF LINE

## FA - FULLY AUTOMATIC TURNTABLE PALLET WRAPPING SYSTEM



### Safety, Speed, & Secure Containment

**Safety:** Industry leading Category 3 Safety is standard. The FA also uses separate high and low side electrical cabinets (NEMA-12 and UL rated) that reduce noise, and allow service techs to access that work space more safely. Plus, the FA has steel mesh fencing, and multi-zone e-stop feature with interlocked access points.

**Speed:** The FA includes powered infeed, turntable, and exit conveyors. Loads are automatically sequenced through the conveyors, and controlled by photocells and PLC. Our system attaches the film tail at the cycle start, quickly wraps, then cuts and wipes the film tail to the load. The forklift operator simply drops the load and moves on!

**Secure Containment:** The FA used Orion's Insta-Thread™ film carriage that applies film with a stabilizing 260% pre-stretch and incorporates force-to-load and corner compensation features to apply even film tension across the entire load. Plus, our Revo-Logic technology with photo-eye sensors ensure precise application of programmed wraps — maximizing load containment and film yield.

### FEATURES AND BENEFITS

- 20" Insta-Thread™ Film Carriage with standard 260% pre-stretch, labor saving film tail attach, cut & wipe automatically secures film
- CAT-3 electrical safety with separate high and low side panels
- Revo-Logic technology with photo-eye sensor carriage ensures precise application of programmed wraps — maximizing load containment and film yield, and automatic load height sensing photo-eye
- Separate up and down film carriage speed control and top and bottom adjustable wrap counts (from 1 - 20)
- Automatic force-to-load control
- Precision ring bearing turntable support with 4,000 lb turntable load capacity
- Heavy duty chain & sprocket turntable drive
- Low maintenance, long lasting AC motors and Variable Frequency Drive (VFD) controllers
- User friendly 10" IntelVue color touch screen HMI
- Up to 15 RPM with adjustable soft-start
- Web based dashboard for remote viewing of machine data
- Structural steel construction for durability
- Space saving, small footprint design

### APPLICATION EXAMPLES



PRODUCE & BAKERY



PHARMACEUTICAL



BUILDING & LANDSCAPING

## TYPICAL PRODUCT SPECIFICATIONS

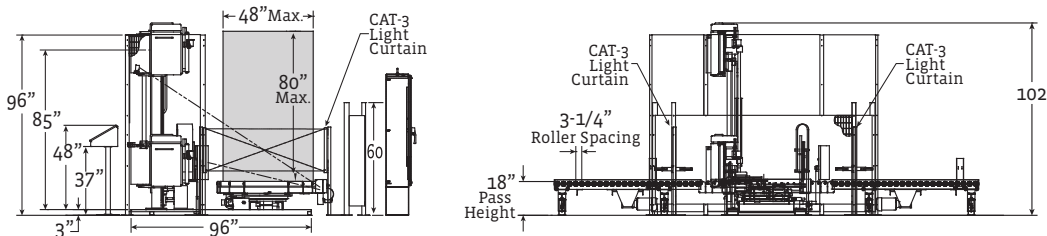
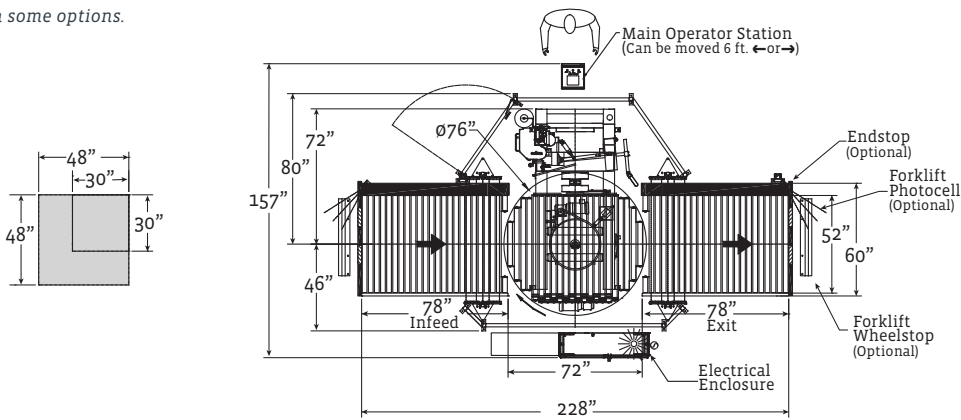
|                     |                                               |
|---------------------|-----------------------------------------------|
| <b>Product Type</b> | Turntable Fully Automatic                     |
| <b>Footprint</b>    | Process Area Approx. 228" W x 157" D x 102" H |
| <b>Speed</b>        | 15 RPM Standard                               |
| <b>Display</b>      | 10" color IntelleVue HMI                      |
| <b>Frame</b>        | Heavy-duty welded tubular steel               |

|                                   |                                                                                                |
|-----------------------------------|------------------------------------------------------------------------------------------------|
| <b>Standard Voltage</b>           | 480/3/60                                                                                       |
| <b>Main Electrical Enclosures</b> | Built to UL508A standards and UL Listed (Enclosures optioned for CE will not carry a UL label) |
| <b>Air Requirements</b>           | 6 CFM @ 80 PSI                                                                                 |
| <b>Safety</b>                     | CAT 3 Safety Rating                                                                            |

## MACHINE DRAWINGS – Dimensions - Inches

### FA Turntable Fully Automatic Stretch Wrapper

Equipment shown with some options.



## OPTIONS

- 30" film roll carriage
- Scale options
- Forklift photocell
- Forklift wheel stop
- LED lighting package
- Film roping

## STANDARD FEATURES



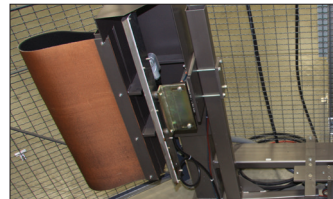
### 10" IntelleVue HMI

Easy-to-use, password protected color touch-screen HMI with 10 programmed wrap recipes.



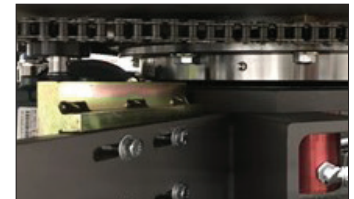
### Insta-Thread Film Delivery

Faces the side for easier film roll loading and threading. The system uses specially designed rollers to accurately elongate film at a standard rate of 260%, providing the most secure loads at the lowest cost.



### Film Tail Cut & Wipe

Innovative asymmetrical film clamp grips the film web while the hot wire or optional "no build up" thermo bar cuts the film. The load seeking pneumatically actuated belt smooths and secures the film tail to the side of the load.



### Direct Chain/Sprocket Turntable Drive

Heavy duty, 4,000lb. capacity structural steel base frame with precision ring bearing turntable support. Up to 15 RPM variable speed with adjustable soft start.